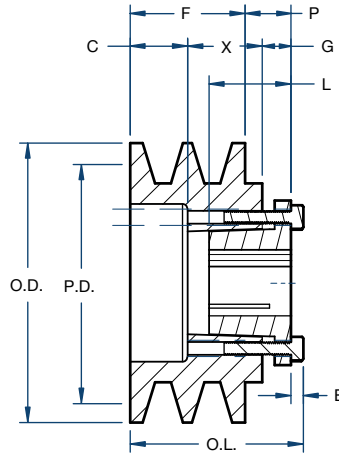
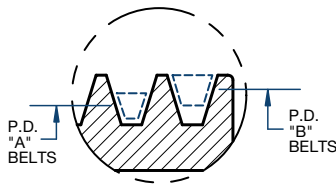


Sheaves

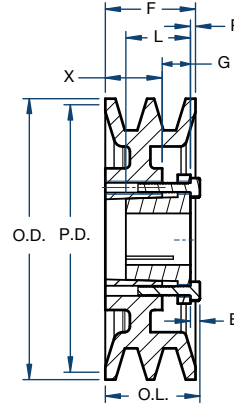
2BKH STYLE



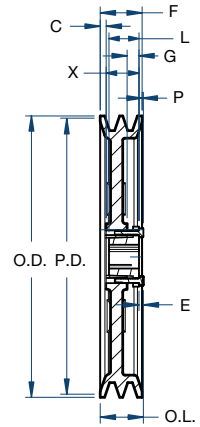
BLACKSTAR®



Type 1



Type 2



Type 3

Part No.	Diameter (in)			Type	Dimensions (in)								Approx. Weight (lbs)
	Outside	Pitch 4L/A	Pitch 5L/B		O.L.	F	L	P	C	X	G	E	
2BK32H	3.35	2.60	3.00	1	2-13/16	1-3/4	1-1/4	7/8	1-5/16	7/8	7/16	3/16	2.1
2BK34H	3.55	2.80	3.20	1	2-13/16	1-3/4	1-1/4	7/8	1-5/16	7/8	7/16	3/16	2.4
2BK36H	3.75	3.00	3.40	1	2-3/8	1-3/4	1-1/4	7/16	7/8	7/8	7/16	3/16	2.0
2BK40H	3.95	3.20	3.60	1	2-3/8	1-3/4	1-1/4	7/16	7/8	7/8	7/16	3/16	2.4
2BK45H	4.25	3.50	3.90	1	2-3/8	1-3/4	1-1/4	7/16	7/8	7/8	7/16	3/16	3.0
2BK47H	4.45	3.70	4.10	2	1-3/4	1-3/4	1-1/4	7/16	—	7/8	7/16	3/16	2.8
2BK50H	4.75	4.00	4.40	2	1-3/4	1-3/4	1-1/4	7/16	—	7/8	7/16	3/16	3.3
2BK52H	4.95	4.20	4.60	2	1-3/4	1-3/4	1-1/4	7/16	—	7/8	7/16	3/16	3.6
2BK55H	5.25	4.50	4.90	2	1-3/4	1-3/4	1-1/4	7/16	—	7/8	7/16	3/16	3.9
2BK57H	5.45	4.70	5.10	2	1-3/4	1-3/4	1-1/4	7/16	—	7/8	7/16	3/16	4.3
2BK60H	5.75	5.00	5.40	2	1-3/4	1-3/4	1-1/4	7/16	—	7/8	7/16	3/16	4.4
2BK62H	5.95	5.20	5.60	2	1-3/4	1-3/4	1-1/4	7/16	—	7/8	7/16	3/16	4.5
2BK65H	6.25	5.50	5.90	3	1-3/4	1-3/4	1-1/4	7/16	1/4	7/8	7/16	3/16	4.5
2BK67H	6.45	5.70	6.10	3	1-3/4	1-3/4	1-1/4	7/16	1/4	7/8	7/16	3/16	5.0
2BK70H	6.75	6.00	6.40	3	1-3/4	1-3/4	1-1/4	7/16	1/4	7/8	7/16	3/16	5.1
2BK80H	7.75	7.00	7.40	3	1-3/4	1-3/4	1-1/4	7/16	1/4	7/8	7/16	3/16	6.4
2BK90H	8.75	8.00	8.40	3	1-3/4	1-3/4	1-1/4	7/16	1/4	7/8	7/16	3/16	7.6
2BK100H	9.75	9.00	9.40	3	1-3/4	1-3/4	1-1/4	7/16	1/4	7/8	7/16	3/16	8.4
2BK110H	10.75	10.00	10.40	3	1-3/4	1-3/4	1-1/4	7/16	1/4	7/8	7/16	3/16	9.3
2BK120H	11.75	11.00	11.40	3	1-3/4	1-3/4	1-1/4	7/16	1/4	7/8	7/16	3/16	11.0
2BK130H	12.75	12.00	12.40	3	1-3/4	1-3/4	1-1/4	7/16	1/4	7/8	7/16	3/16	13.1
2BK140H	13.75	13.00	13.40	3	1-3/4	1-3/4	1-1/4	7/16	1/4	7/8	7/16	3/16	14.8
2BK160H	15.75	15.00	15.40	3	1-3/4	1-3/4	1-1/4	7/16	1/4	7/8	7/16	3/16	17.5
2BK190H	18.75	18.00	18.40	3	1-3/4	1-3/4	1-1/4	7/16	1/4	7/8	7/16	3/16	21.5